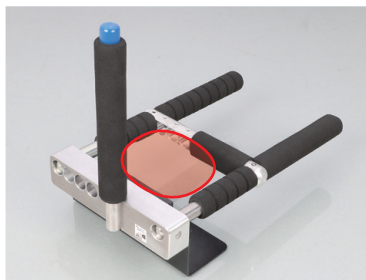


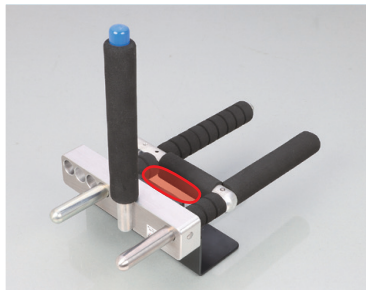


**THEFT PREVENTING RELATED PARTS**

**HANDLE LOCK SHL-02 +**



MAX HANDLE SPOKE : 150 × 125mm  
(Sponge included)



MIN HANDLE SPOKE : 80 × 39 mm  
(Sponge included)

**UNDER BRACKET**

high-strength duralumin / hairline finish  
80/100/125/150mm (Sponge included)  
4-step adjustable for handle lock shaft

**HANDLE LOCK SHAFT (ADJUST SIDE)**

φ20 super hard alloy steel

**HANDLE LOCK SHAFT (LOCK SIDE)**

φ20 stainless steel alloy  
39 ~ 125mm (10 steps)  
thickness adjustable.

**HORN SHAFT**

φ20 high strength duralumin  
If forcing to remove, contact to horn switch and sound the horn, increasing deterrent effect!

**UPPER BRACKET**

High strength duralumin  
Hairline finish

**HANDLE CUT PRIVENTION GUARD**

Effective against thefts to cut handle and disable anti-theft devices. The back with scratch-resistant sponge to prevent damage to handle.

**KEY CYLINDER**

**ABLOY CLASSIC**

ABROY rotary disc cylinder mechanism provides not only excellent picking resistance but also high resistance to terrorism (drills, saws, etc.).

**ABLOY CLASSIC**

Designed key that inherits "real thing"! Different from other keys. In ABROY key series, "CLASSIC" is one that inherits traditional disc structure and design. The feature is single-sided insertion key. Not reversible and is designed to be inserted in the same direction every time, once you get used to it, you can insert instantly without hesitation. A key that embodies history and comfortable usability.



CLASSIC  
Single-side insert key



CLASSIC KEY CYLINDER



LAND CRUISER 250

**KEEP IN SAFTY**

**SERIAL TAG STICKER**

※ Comes with key



Serial No. (10 numbers) for spare key production is written.  
(Span to produce spare key : 2 ~ 3 weeks)

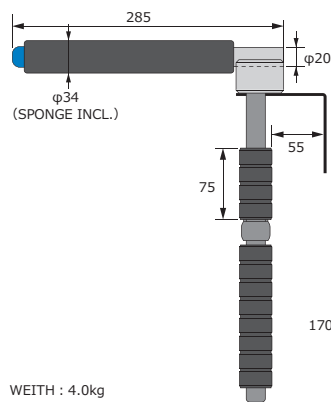
**APPLICATION**

- UNDER THE STEELING WHEEL SPOKE OF FOLLOWING MODEL  
**LEXUS**:LBX (10/15), LS (50/55), LC (100), LM (15), LX (310), GX550 (252), NX (20 ~ 26), RX (10~17), RZ (10/15), UX (11/16)
- **TOYOTA** : LAND CRUISER 70 (76), LAND CRUISER 250 (250系), LAND CRUISER (300), LAND CRUISER PRADO (150), HILUX (125), HARRIER (80/85), ALPHARD / VELLFIRE (30/35・40/45), CROWN SPORTS (36/37), CROWN CROSS OVER (35), PRIUS (50~55・60~65), VOXY (90/95), CH-R (10/11/50), RAV4 (52/54), HIACE (200~226), GR YARIS (16), GR COROLLA (14), GR SUPRA A90 (06/26/86) etc.
- ※ NOT USABLE FOR SOME MODELS WITH PADDLE SHIFT.

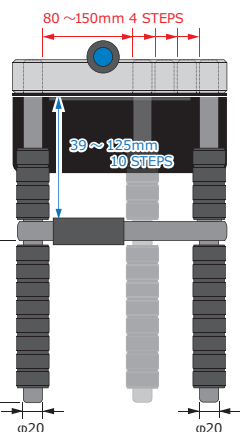
**NOTES**

- UPPER BRACKET : HIGH STRENGTH DURALUMIN/HAIR LINE FINISH
- UNDER BRACKET : HIGH STRENGTH DURALUMIN/HARI LINE FINISH
- HORN SHAFT : φ 20 HIGH STRENGTH DURALUMIN
- HANDLE LOCK SHAFT (LOCK SIDE) : φ 20 HARD STAINLESS STEEL ALLOY (ADJUST SIDE) : φ 20 SUPER HARD ALLOY STEEL
- CUT-PREVENTION GUARD : STEEL / BAKING PAINT FINISH THICKNESS : 3 mm
- PATTERN :HANDLE WHEEL THICKNESS : 10 PATTERNS (39 ~ 125mm)
- HANDLE SPOKE WIDTH (SPONGE INCL.) : 4 PATTERN (80/100/125/150mm)
- KEY CYLINDER : **ABLOY CLASSIC** (1 PC) ● KEY PATTERN : 360,000,000 PATTERNS
- KEY:2 QTY (SPARE KEY INCL.) ● 3 mm HEX WRENCH / HEX SOCKET 1 QTY (SPARE) INCL. ● HANDLE PROTETION SHAFT COVER INCL.
- WEIGHT : 4.0kg ● K・TECT SECURITY LEVEL : 80

● SIDE VIEW



● FRONT VIEW



WEITH : 4.0kg  
SIZE : mm  
※APPROXIMATE NUMBERS.

CODE	PRICE	JAN CODE
881-1202100	¥ 60,000	4 990852 129447